

# PNL1X4 1x4 Premium Back-Lit LED Panel



Project:	
Type:	
Catalog #:	

## STANDARD



## FEATURES

- Available in 3500k (warm/neutral white), 4000k (neutral white) & 5000k (cool white) color temperatures.\*
- Long-life LEDs provide at least 144,000 hours of operation with at least 70% of initial lumen output ( $L_{70}$ ).\*\*
- Provides 4,124 to 4,169 luminaire lumens, and 128 to 129 lumens per watt.\*
- Uniform illumination with no visible LED pixilation.
- Universal 120-277 AC voltage (50-60Hz) is standard.
- 0-10vdc dimming capability is standard.
- Power factor > 90.
- Total harmonic distortion < 20%.
- Color rendering index > 80.
- Aluminum frame and steel housing backplate.
- PMMA (polymethyl methacrylate) LED lenses for optimal light distribution, efficiency and longevity.
- Easy installation in new construction or retrofit.
- Standard earthquake clips provide secure installation in grid ceilings.
- Standard mounting options include recessed mounting in grid ceilings, or suspended mounting using attached hanging brackets. For mounting in plaster or other hard ceiling, see Mounting Kits.

\* Contact factory for other color temperatures and lumen packages.

\*\*  $L_{70}$  hours are IES TM-21-11 calculated hours.



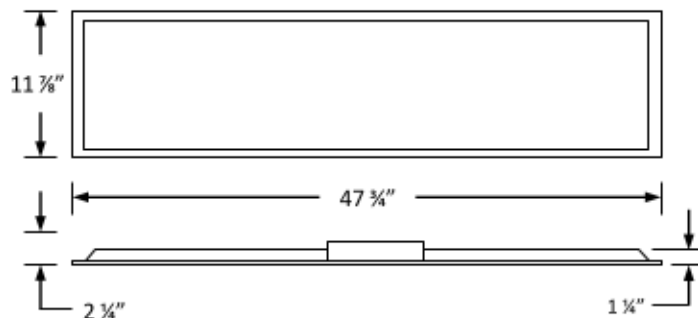
## WARRANTY & LISTINGS

- cULus for damp locations and insulated ceilings (Type IC-rated). Suitable for ambient temperatures from -20°C to 40°C (-4°F to 104°F).
- UL listed for maximum of 4, 12 AWG through branch circuit conductor.
- DLC premium approved.
- Flicker-free per IEEE1789-2015 (no observable adverse effects of flicker at 100% light output level).
- Complies with RoHS (Restriction on Hazardous Substances) requirements.
- Complies with FCC Part 15, class B.
- Complies with EN61000-4-5, surge immunity protection (1kV).
- 5-year warranty of all electronics and housing.

## MOUNTING KITS

- Optional Surface Mount Kits (LEDSMKT-14) and Flange Mounting Kits (FLANGEKIT14-ET) provide for installation on plaster or other hard ceilings.
- Optional Cable Mounting Kits (LEDPNL-CMK) provide additional security, as well as suspended mounting.

## DIMENSIONS



Weight: 5 lbs.

## ORDERING INFORMATION

Example: PNL1X4-40L-35K-PRM

Series	Nominal Lumens		Color Temperature		DLC		Options (Order Separately)	
PNL1X4	40L	4,000 lm	35K	3500K	PRM	PREMIUM	LEDSMKT-14	Surface Mounting Kit (1x4), Back-Lit Panels
			4K	4000k			FLANGEKIT14-ET	Flange Mounting Kit (1x4)
			5K	5000k			LEDPNL-CMK	Cable Mounting Kit, Quantity 6, 1 meter long, 1/16" diameter, with spring clips & adjustable, locking ceiling attachment

# PNL1X4 1x4 Premium Back-Lit LED Panel



## ELECTRICAL DATA

Model	Color Temperature	CRI <sup>1</sup>	Luminaire Lumens	Luminaire Watts	Lumens Per Watt	Input Voltage <sup>2</sup>	Input Current (A)			Power Factor	THD <sup>3</sup>	L <sub>70</sub> Hours <sup>4</sup>
							120V	240V	277V			
PNL1X4-40L-35K-PRM	3500K	> 80	4,124	32	128	120-277	0.27	0.13	0.12	> 90%	< 20%	144,000
PNL1X4-40L-4K-PRM	4000K	> 80	4,147	32	129	120-277	0.27	0.13	0.12	> 90%	< 20%	144,000
PNL1X4-40L-5K-PRM	5000K	> 80	4,169	32	129	120-277	0.27	0.13	0.12	> 90%	< 20%	144,000

<sup>1</sup> Color rendering index.

<sup>2</sup> All 50-60Hz.

<sup>3</sup> Total harmonic distortion.

<sup>4</sup> L<sub>70</sub> refers to the number of hours at which lumen output declines to 70% of the initial level. L<sub>70</sub> hours are IES TM-21-11 calculated hours.

## PHOTOMETRIC DATA

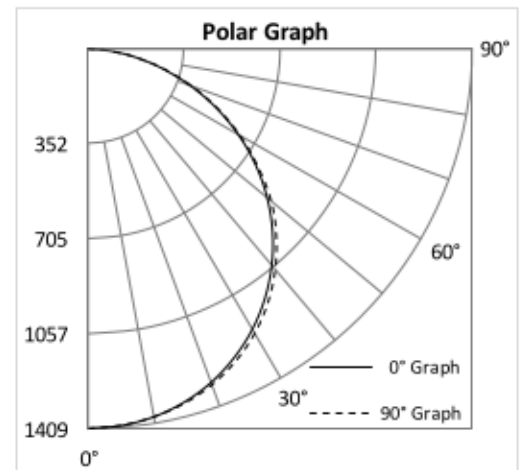
### PNL1X4-40L-5K-PRM

#### Luminaire Data

Description	1x4 Premium Back Lit LED Panel - 40L 5K
Total Lumens	4,169
Input Wattage	32
Efficacy (lm/W)	129
Spacing Criterion (0-180°)	1.28
Spacing Criterion (90-270°)	1.30

#### Zonal Lumen Summary

Zone	Lumens	%Fixt
0-20°	518	12.4%
0-30°	1,104	26.5%
0-40°	1,818	43.6%
20-50°	2,047	49.1%
40-70°	1,945	46.7%
0-60°	3,242	77.8%
0-80°	4,071	97.6%
0-90°	4,162	99.8%
90-180°	6	0.2%
0-180°	4,169	100.0%



## Compatible Dimmers

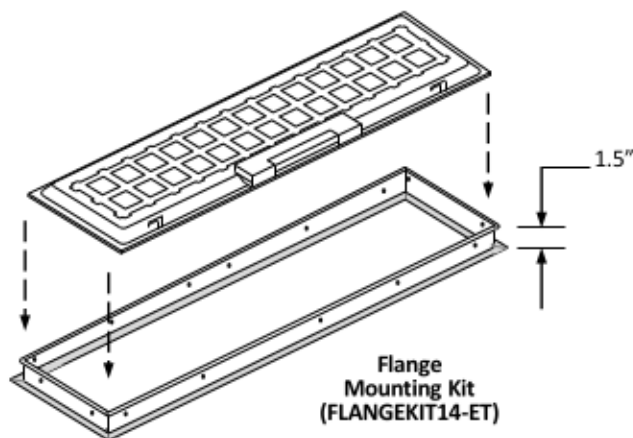
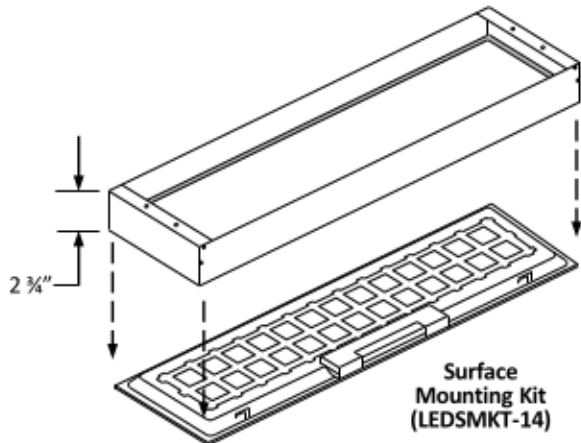
Manufacture	Model Number	Dimming Range	Load Switching Capacity
Lutron	DVSTV	10%-100%	450W
Leviton	IP710-LFZ	10%-100%	1200W
General Protecht	DMD-LED3-102	10%-100%	600W

# PNL1X4 1x4 Premium Back-Lit LED Panel

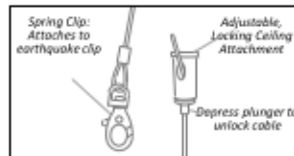


## MOUNTING MEANS – ORDER SEPERATATLY

- Optional surface mounting kits (LEDSMKT-14) mounts below the ceiling.
- Optional flange mounting kits provide for recessed installation on plaster or other hard ceilings. Attach Flange Mount Kit (FLANGEKIT14-ET) to ceiling joists or other stationary structures, and the panel is mounted flush to the ceiling.
- Optional cable mounting kits provide additional security, as well as suspended mounting. Attach one end of the Cable Mount Kit (LEDPNL-CMK) to luminaire earthquake clips using spring clips, and attach the other end to stationary structures using the adjustable, locking ceiling attachment (see picture below right).



### Cable Mounting Kit (LEDPNL-CMK)



### Cable Mount Kit:

- Spring Clip
- Adjustable, locking ceiling attachment