

BRK-LED36-DL-ECO 3"/4"/5"/6" SURFACE LED DOME LIGHT



Project:	
Type:	
Catalog #:	

STANDARD



APPLICATIONS

6" surface dome light solution with integrated LED power supply and thermal management system combined in a single compact unit designed to fit most standard 3", 4", 5" and 6" recessed cans, also work in 4" junction box.

ILLUMINATION

- Long life LEDs with up to 50,000 hours at 70% lumen maintenance.
- Choice of 2700K (±145), 3000K (±175), 3500K (±245), 4000K (±275), 5000K (±283), color temperature with 80 CRI.
- Produces 1200 lumens output from luminaire.
- Uses 1.18W high power, high quality LEDs.

ELECTRICAL

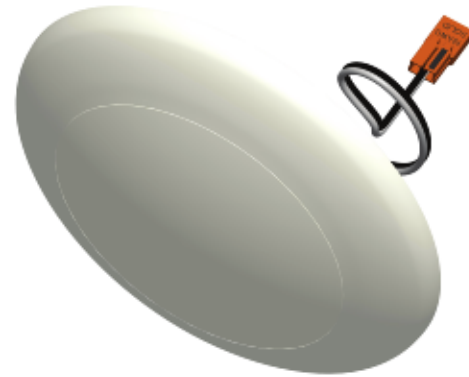
- Dimmable to 10% with most dimmers.

Lutron Maestro C-L	MACL-153MR
Lutron Skylark C-L	SCL-153P
Leviton Sureslide	Cat.No.6674
Lutron	PD-6WCL
Legrand Harmony	HCL453PTCCCV6

- Save 75% compared to incandescent sources.
- High efficiency driver with a power factor ≥ .90 with input power of 120V, 50-60Hz.
- Built-in LED Driver.
- Power consumption of 14 watts.
- Operation temperature of - 20°C- 40°C (-4°F- 104°F).

MOUNTING

- Easy installation with 3" to 6" recessed cans.
- Cut-off and strip, for 4" junction box mounting, using mounting bracket.



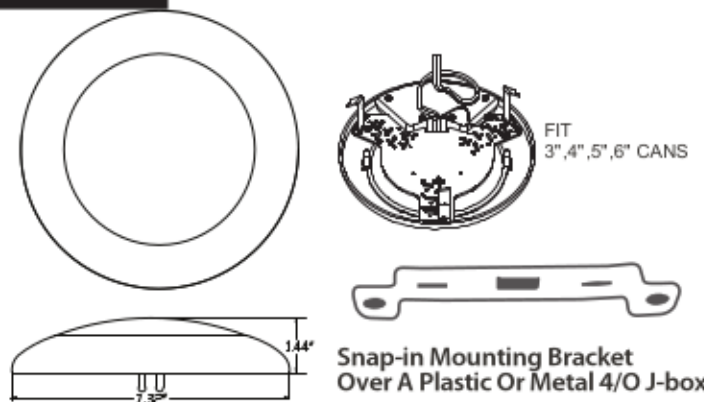
HOUSING

- Surface mount dome used with 3", 4", 5" and 6" housings.
- Compatible with insulated, non-insulated, and air-tight ceilings.
- Durable thermoplastic construction.
- E26 medium screw-base Edison connector provides easy retrofit of incandescent housings.

WARRANTY/LISTING

- Tested in accordance with IESNA LM79 & LM80.
- ETL Listed for wet location US and Canada.
- Energy Star certified.
- Passes FCC Class B.
- Meets State of California Title 24 requirements.
- Five year warranty on all electronics and housing.

DIMENSIONS



ORDERING INFORMATION

MODEL		WATTS	KELVIN RATING		LUMENS
BRK-LED36-DL-14W-27K-ECO	DL	Dome Light	27K	2700K	1200
BRK-LED36-DL-14W-3K-ECO	DL	Dome Light	3K	3000K	1200
BRK-LED36-DL-14W-35K-ECO	DL	Dome Light	35K	3500K	1200
BRK-LED36-DL-14W-4K-ECO	DL	Dome Light	4K	4000K	1200
BRK-LED36-DL-14W-5K-ECO	DL	Dome Light	5K	5000K	1200